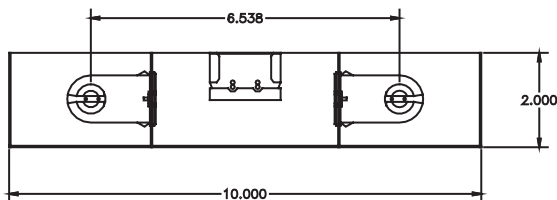
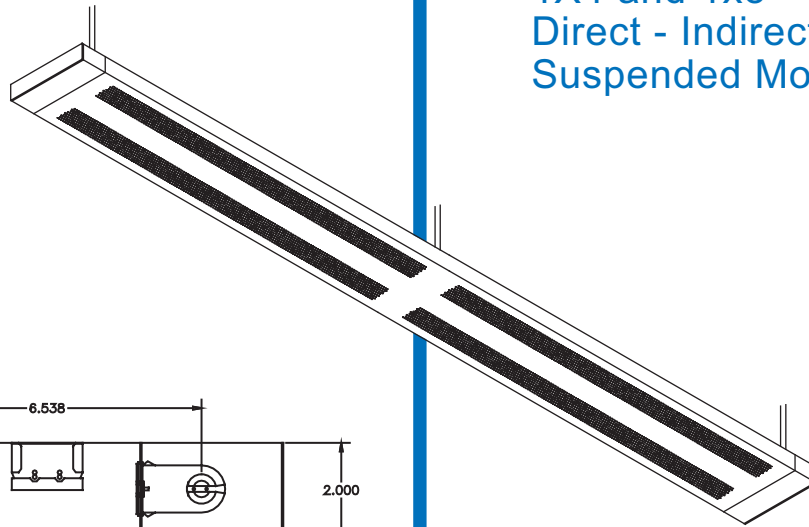


SERIES 1641

1X4 and 1x8
Direct - Indirect
Suspended Mount



UNION MADE IN THE USA.

FEATURES:

- DIRECT - INDIRECT DISTRIBUTION
- ECONOMICAL PURCHASE AND OPERATING COSTS
- 99+ LUMENS / WATT EFFICACY WITH ELECTRONIC BALLAST
- PENDANT OR CABLE SUSPENSION SYSTEM NOT INCLUDED
- EASY CONTINUOUS ROW INSTALLATION
- CHOICE OF LENSES
- POST PAINTED HIGH REFLECTANCE POWDER COAT FINISH

ORDERING:

NOMINAL SIZE	LAMPS	CATALOG NUMBER
1' X 4'	2-F032	1641-12A-248T8
1' X 8'	4-F032	1641-12A-248-2T8

INSERT VOLTAGE AT END OF CATALOG NUMBER

NOTES:

1. "12A" DENOTES AN ACRYLIC .110 PATTERN 12 LENS PROVIDED AS STANDARD UNLESS A SHIELDING OPTION IS SPECIFIED
2. PENDANT MOUNTING SYSTEM OPTIONAL (SEE ACCESSORIES SECTION)

MANUFACTURING
1715 KIBBY ROAD - MERCED - CALIFORNIA - 95340
(209) 723-9120 - FAX: (209) 723-9131

SALES OFFICE
14722 WICKS BLVD. - SAN LEANDRO - CALIFORNIA - 94577-6718
(510) 667-6950 - FAX: (510) 667-6959